



60%
energy
saving

50,000
hours life

3 years
warranty



SAA

CE



UK
CA



BACKLIT PANEL

ELIUMENDO
THE LIGHTING COMPANY

Key Features

- 0.95 Power Factor.
- 120 LPW/Efficacy.
- Compact design for Two sizes.
- Full wattage 30w, 36w
- Color Rendering Index: CRI > 80.
- Operating Temperature: -50+50°C.
- Full certificates TUV, GS, SAA, CE, RoHS, UKCA.

Uses

- > Offices
- > Corridors
- > Schools
- > Hospitals

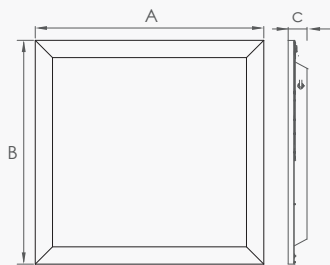


TECHNICAL DATA

Code	Size	Power	Lm/W	Lumens output	Colour temp(K)	Optic	Supply
ELP3059540	2 x 2	30W	120 lm/W	3600 lm	4000K	170°	On/Off
ELP3059565	2 x 2	30W	120 lm/W	3600 lm	6500K	170°	On/Off
ELP3029540	1 x 4	30W	120 lm/W	3600 lm	4000K	170°	On/Off
ELP3029565	1 x 4	30W	120 lm/W	3600 lm	6500K	170°	On/Off
ELP3659540	2 x 2	36W	120 lm/W	4320 lm	4000K	170°	On/Off
ELP3659565	2 x 2	36W	120 lm/W	4320 lm	6500K	170°	On/Off
ELP3629540	1 x 4	36W	120 lm/W	4320 lm	4000K	170°	On/Off
ELP3629565	1 x 4	36W	120 lm/W	4320 lm	6500K	170°	On/Off



Dimension

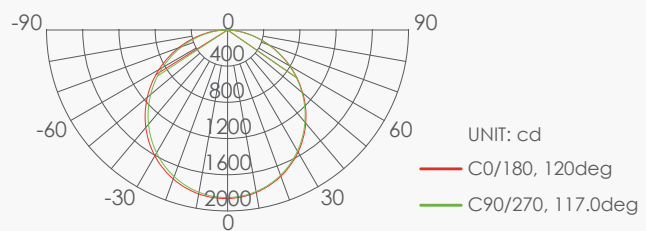


Product Name	A	B	C
600x600	595	595	32
620x620	620	620	32
300x1200	295	1195	32
600x1200	595	1195	32

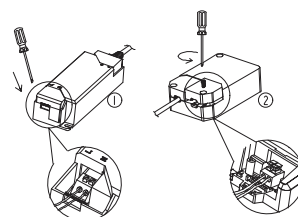
Unit:mm

Photometry Curve

AVERAGE BEAM ANGLE (50%): 120DEG



Wiring Drawing



1. Insert the AC line 'L', 'N' terminal, use screws to fix protective cover.

Package

Product Type	Rated Power	Inner Box	Outer Carton	Qty/Carton	Unit N.W	G.W/Carton
595 x 595mm	30/36W	620 x 44 x 628mm	635 x 485 x 648mm	10 pcs	1.85Kg	23.75Kg
295 x 1195mm	30/36W	1270 x 44 x 315mm	1280 x 250 x 335mm	5 pcs	1.85kg	12.00Kg

! CAUTION

In case of electric shock, please make sure the power is off before installation.

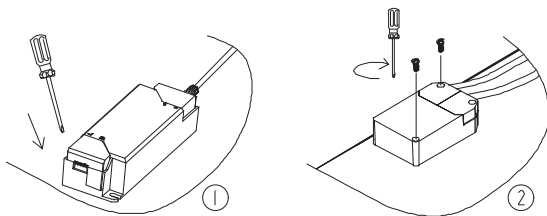
The lamp should be installed and operated by a qualified electrician or technician in accordance with relevant local codes.

Do not use sharp tools near or on the surface of the lamp.

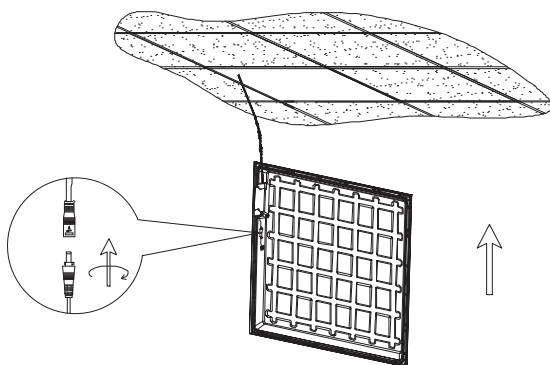
Unpack and examine the product carefully. Report any damage and save all packing materials if any portion of the product was damaged during transportation.

Installation Drawing

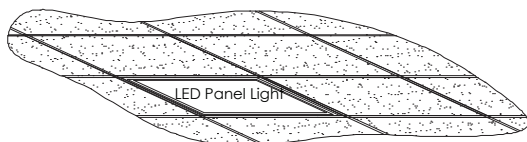
Schematic diagram for recessed installation



1. Connect the power input wire, then fixed power supply.

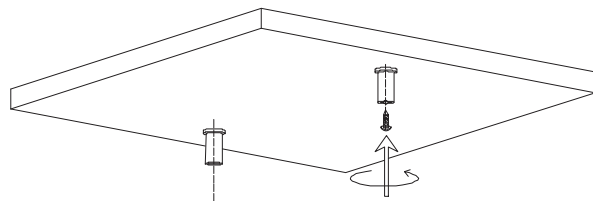


2. Connect the power line, then put LED panel on the ceiling screens.

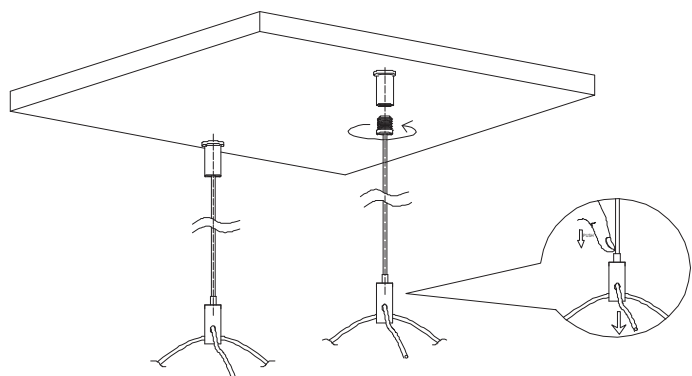


3. Check LED panel is mounted properly and securely.

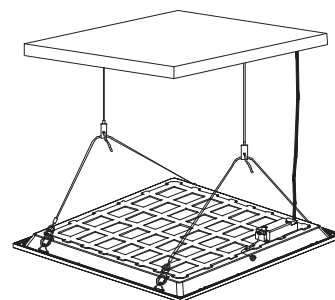
Schematic diagram for suspension installation



1. Install the hanging fixed block on the ceiling.



2. Setup hanging fittings and stainless steel rope.



3. Fix the rope on suitable height by using hanging fixed block.